

Patent Drawing

Dana Moore

Oct. 2005

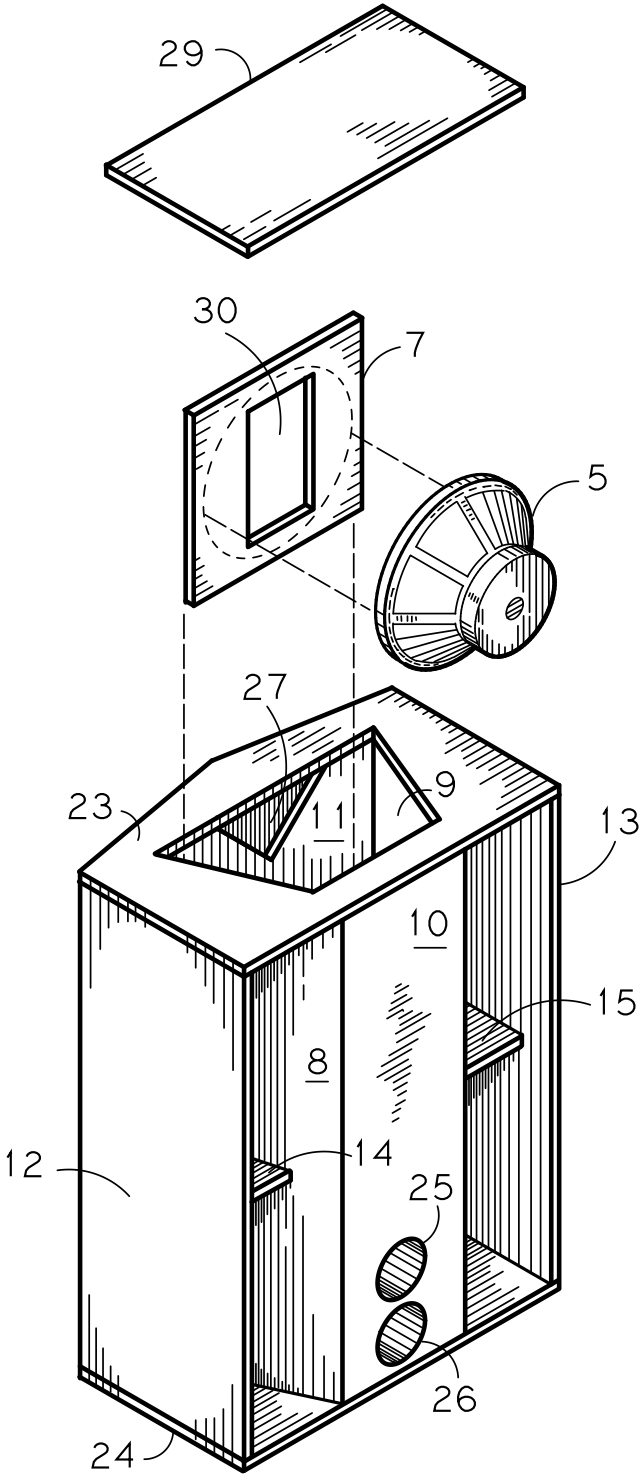


Fig. 5