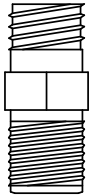
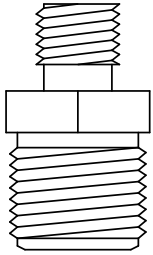


SCREW (2)



SPLIT WASHER (2)

FITTING 1/4" NPT TO 1/4" COMPRESSION (2)

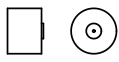
FITTING 3/4" NPT TO 7/16" COMPRESSION (1)



FILTER (2)



O-RING (4)



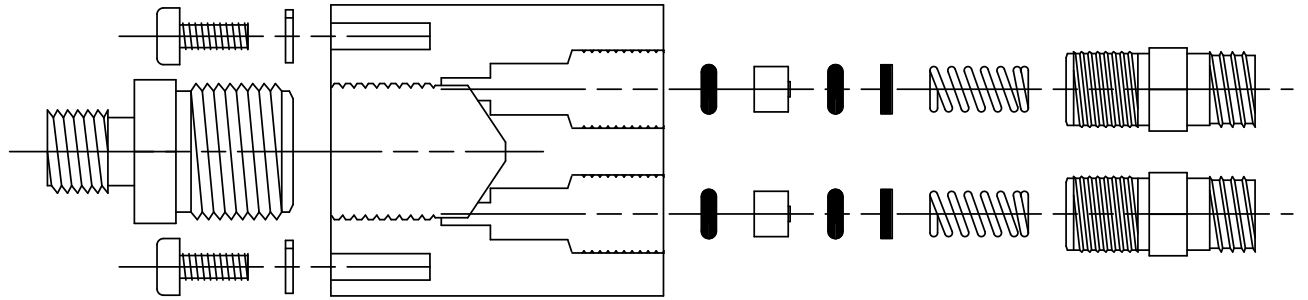
ORIFICE (1 EACH SIDE\*)



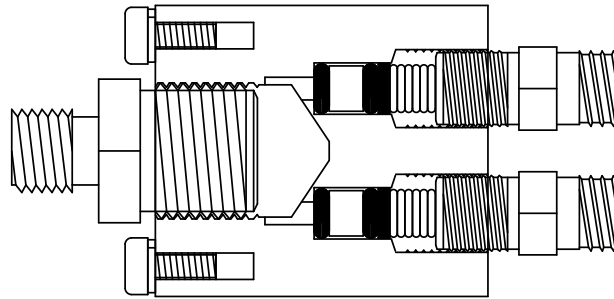
SPRING (2) (RELAXED)



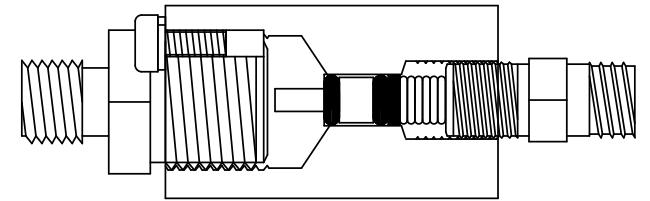
(COMPRESSED)



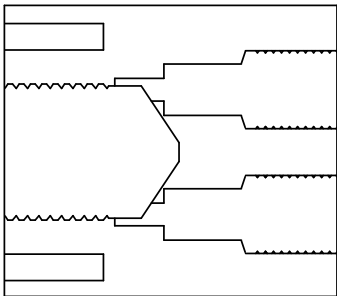
TOP VIEW (EXPLODED)



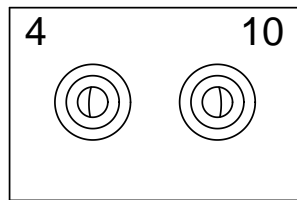
TOP VIEW (ASSEMBLED)



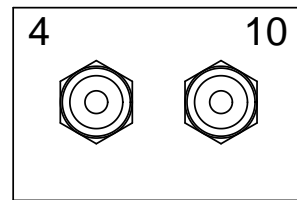
SIDE VIEW (ASSEMBLED)



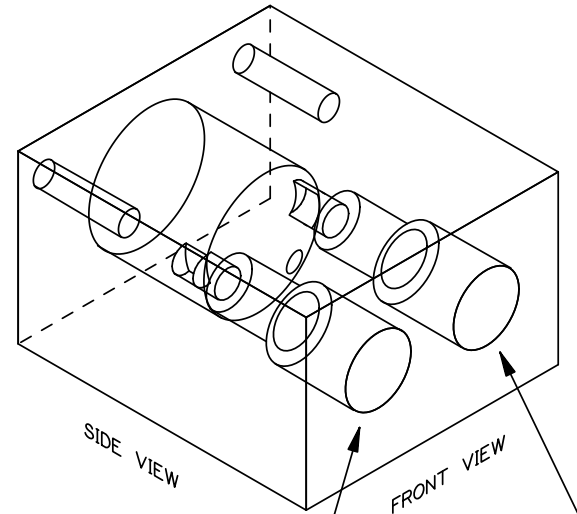
TOP VIEW



FRONT VIEW



FRONT VIEW (ASSEMBLED)

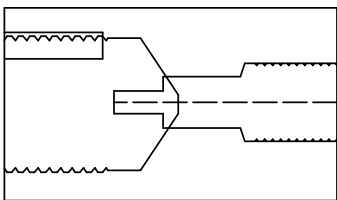


SIDE VIEW

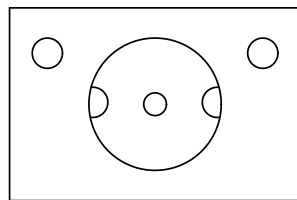
FRONT VIEW

10 MICRON IN THE "10" SIDE

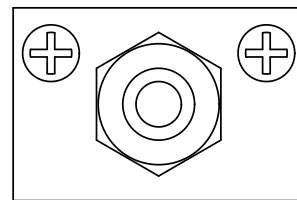
\* 4 MICRON CRITICAL ORIFICE IN THE "4" SIDE



SIDE VIEW



REAR VIEW



REAR VIEW (ASSEMBLED)

FLOW CONTROL MODULE  
James P. Ebert  
9/18/2002